



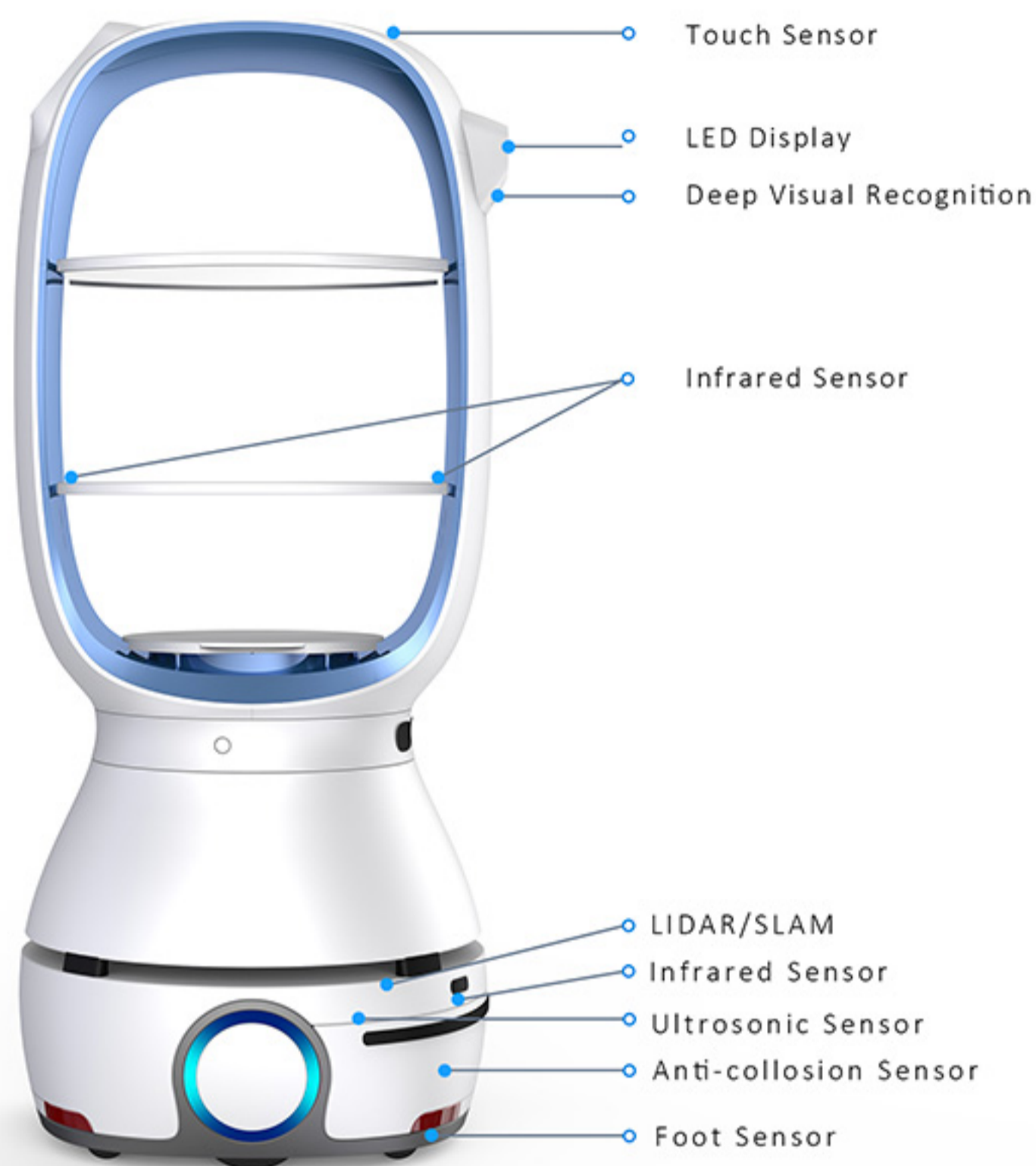
KEENON
ROBOTICS



PEANUT

Commercial Delivery Robot

The commercial delivery robot makes an accurate indoor delivery of dishes, fruits, and other items for commercial purposes, widely applied in restaurant and hotel. The robotic waiter brings the work to a high level, and they can be a good tool to help the waiter with the low-value and repetitive works in the restaurant. This gorgeous-looking waiter can bring more success to your business.



FEATURES

- ▶ Accurate delivery.
- ▶ Autonomous navigation and positioning.
- ▶ Mapping and path planning.
- ▶ Automatic obstacle avoidance.
- ▶ Dedicated work, relentlessly and whole-heartedly.
- ▶ Long working hours.
- ▶ Never ask for salaries and allowances.

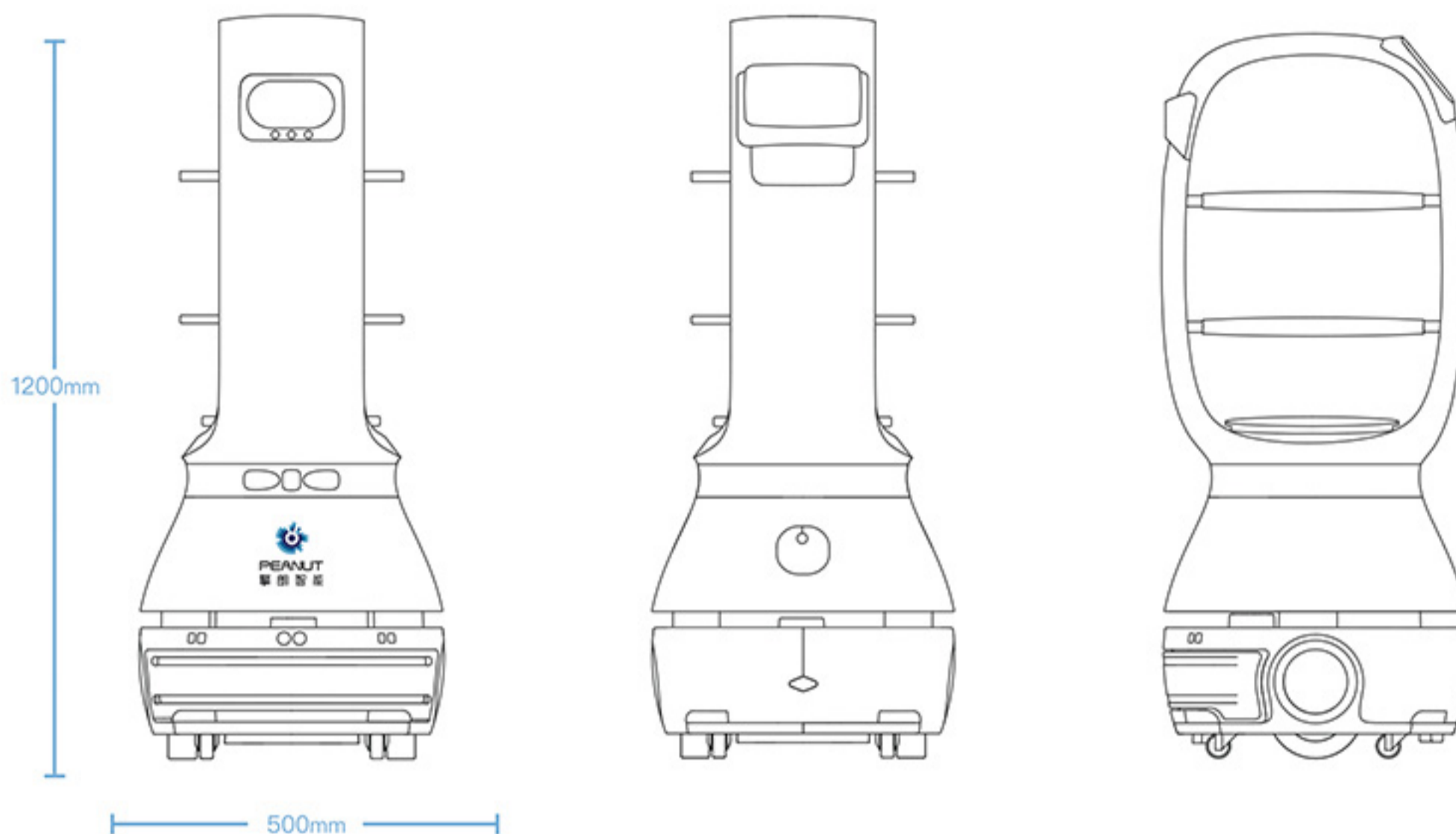
BENEFITS

- Reduce costs of laborer and management.
- Attract more eye catches.
- Increase customer interactions and experience.
- Low capital investment.
- Increase the working efficiency.
- Promote the social marketing of the business.
- Never pay salaries.

APPLICATIONS

restaurant, hotel, office, events and other places need delivery man.





Data Sheet

Model	T1
Dimensions	500x500x1200mm
N.W.	60 kgs
Size of the top and middle trays	400x350x200mm
Size of the bottom tray	∅ 280 x H140mm
Max load per tray	10kg
Max Speed	1 m/s
Max Slope	≤ 5 degree
Rated Power	500 W
Battery Capacity	DC 48V 12 Ah
Battery Life	≥ 8 hrs
Standby Current	< 0.5A
Standby Time	≥ 48 hrs
Life Span	40000 hrs
Working Environment	indoor, smooth floor
Environment Temperature	0~45°C

Data Sheet

Type of Charging	Auto/Manual
Time of Charging	4 hrs
Dimensions Of The Charging Set	230x220x290mm
Weight Of The Charging Set	1 kg
Networks	WIFI/4G/Blue tooth
WIFI	802.11b/g/n
Available Colors	Black/Blue/Purple

Sensors

LIDAR	Y
SLAM	Y
Machine Vision	Y
Deep Visual Recognition	Y
Sonar Sensor	Y
Infrared Sensor	Y
Contact Sensor	Y

IMPORTANT NOTICE:

This spec sheet is meant for commercial purpose only. Specifications are subject to change without notice.

Keenon Robotics Co., Ltd.

11/F, Bldg 56, No. 1000, Jinhai Rd., PD, Shanghai, China 201206

TEL: +86 21 8027 0547

www.KeenonRobot.com

pr@keenonrobot.com

